

(tc)

**traditional contemporary
bathrooms**

**Installation guide for Trinity steam
cabinet**



(tc)

REFERENCE DATA

Power supply :

15 Amp twin and earth

Water supply :

Hot (minimum) 1.5 bar pressure

10 litres per minute

Cold (minimum) 1.5 bar pressure

10 litres per minute

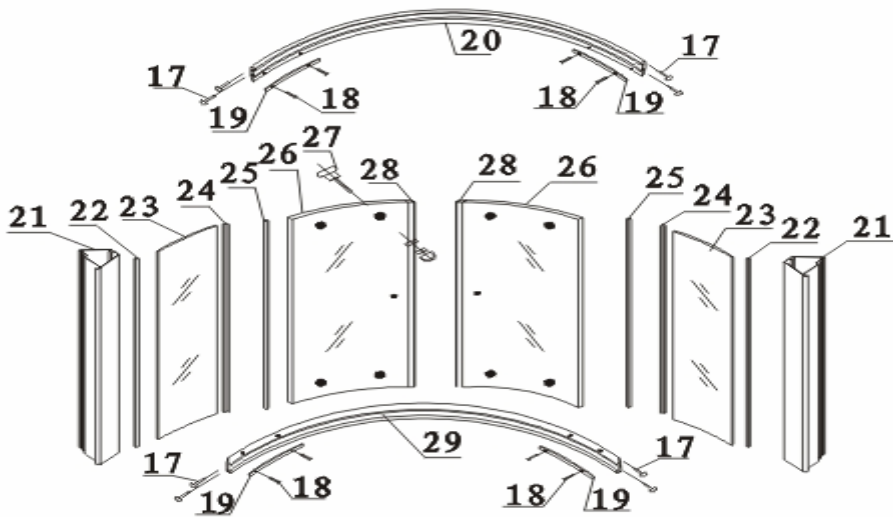
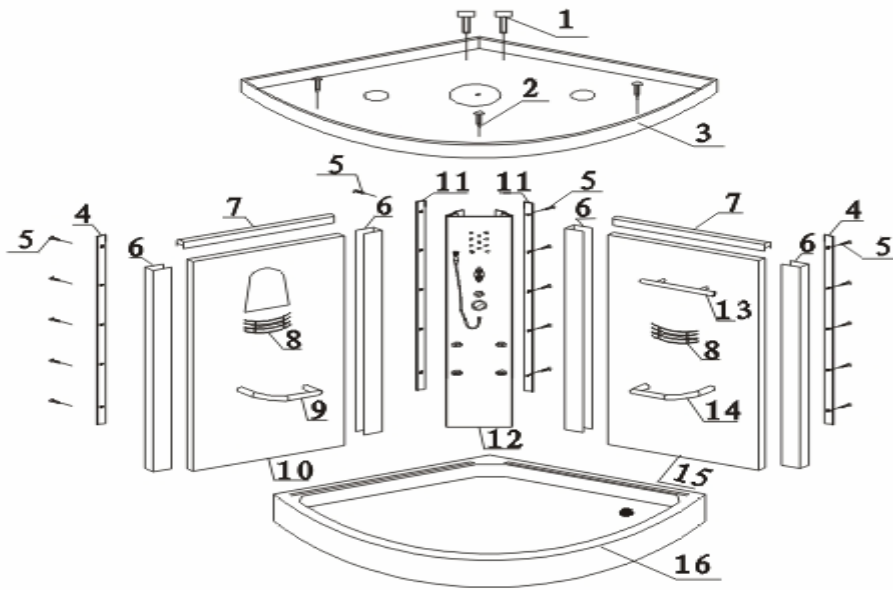
Please note hot and cold pressures must be balanced.

IMPORTANT :

All electric and water connections must be made in accordance with current electrical and water regulations. This also includes all bi laws relating to water and electricity.

(tc)

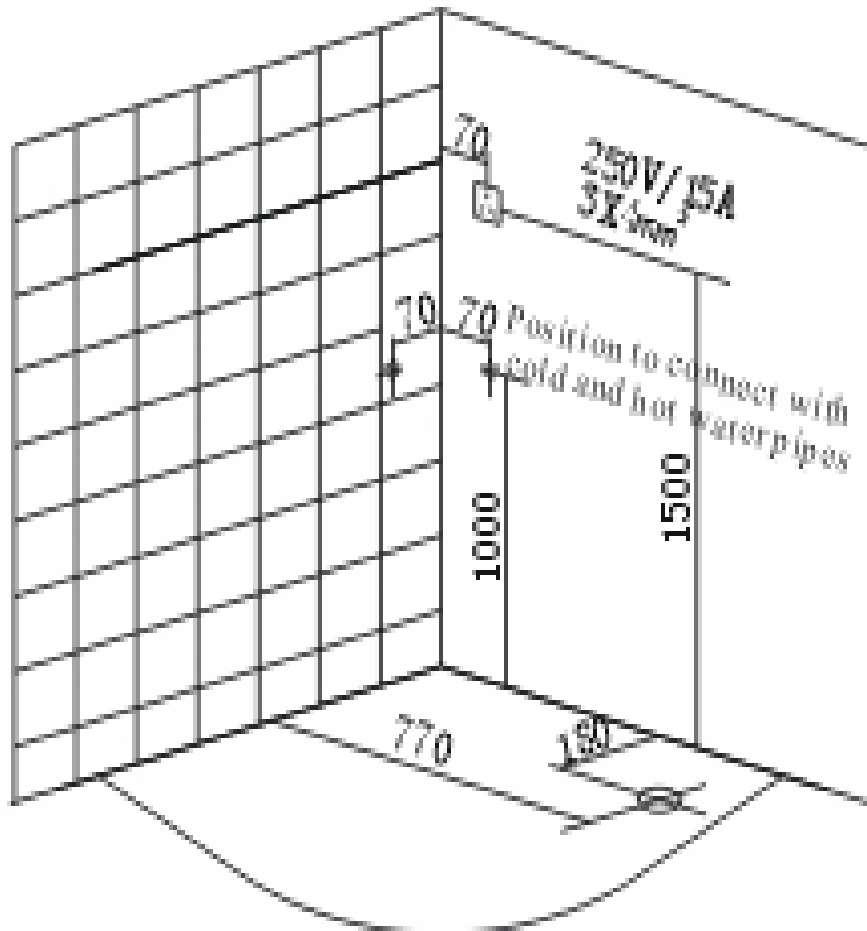
PACKING LIST



SerialNumber	Name	Amount	SerialNumber	Name	Amount	Serial Number	Name	Amount
1	M6X20	2	11	The Pressed Strip of the Back Panel Column	2	21	Side Column	2
2	ST3.5X16	3	12	the Back Panel Column	1	22	Rubber Strip	2
3	Top Cover	1	13	Towel Rack	1	23	Fixed Bent Glass	2
4	Pressed Strip of the Side Column	2	14	Right Handrail	1	24	Rubber Strip	2
5	ST4X20	20	15	Right Side Glass	1	25	Waterproof Rubber Strip	2
6	Shockproof Rubber Strip	4	16	Bottom Basin	1	26	Moveable Bent Glass	2
7	Leakproof Rubber Strip	2	17	ST3.5X30	8	27	Pulley Fittings	8
8	Shelf	1	18	ST4X10	12	28	Magnetic Column Fittings	2
9	Left Handrail	1	19	the Pressed Strip	4	29	Lower Guide Rail	1
10	Left Side Glass	1	20	Upper Guide Rail	1			

(tc)

INSTALLATION POSISION



(tc)

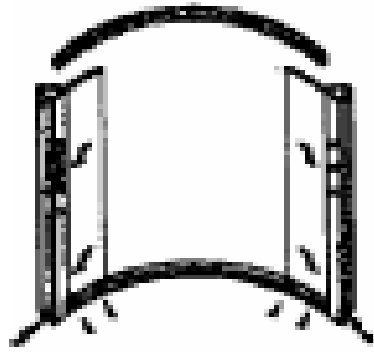
ASSEMBLY

It is recommended that at least two people attempt to install this unit. It is also recommended that it is done by a fully qualified plumber and electrician.

With this type of unit it is essential that the walls are already tiled as the unit is not designed to fit back on to bare walls. All the walls must be true and level before installation commences.

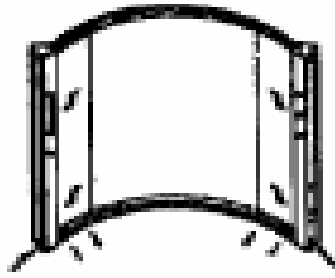
It is recommended that the installer ensures all the parts of the steam cabinet are present before installation commences. This can be done by cross referencing with the packing list and diagram.

1. Ensure tray is set level before any side profiles or top and bottom rails are attached to the tray. This can be done by adjusting the height on the legs of the tray which can be found on the bottom of the tray.
2. Connect the side profiles and the top and bottom rails as in picture 1 below. This is done by using ST3 25 mm screws. These are provided with the unit and 5 are needed to carry this out.



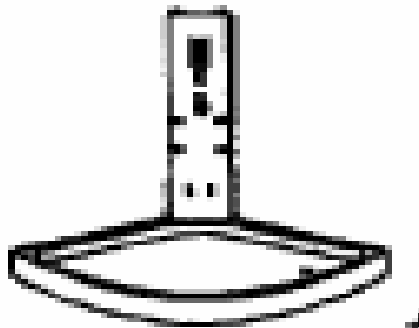
PICTURE 1.

3. Place the U shaped rubber seals on the long side of the fixed glass panels. The rubber seals will need to be adjusted to suit. This is to allow the glass to slot in to the side profiles.
4. The side profiles and top and bottom rails should be as in picture 2 at this stage. Remove the aluminium glass clamping plate from the side profiles. Then stand the side profiles and top and bottom rails upright. One person needs to remove the seals on the top rail completely but only loosen the seals on the bottom rail. The fixed glass panel should then slide in to the bottom rail seal. Once the installer is happy with the position of the fixed panel in the seal on the bottom rail, the seal on the top rail should be fixed back to the top rail and the fixed glass panel should be fitted in to the seal on the top rail as well. Once positioned correctly in both seals, the seals should be tightened, but make sure not over tighten or the fixed glass panel could shatter.



PICTURE 2.

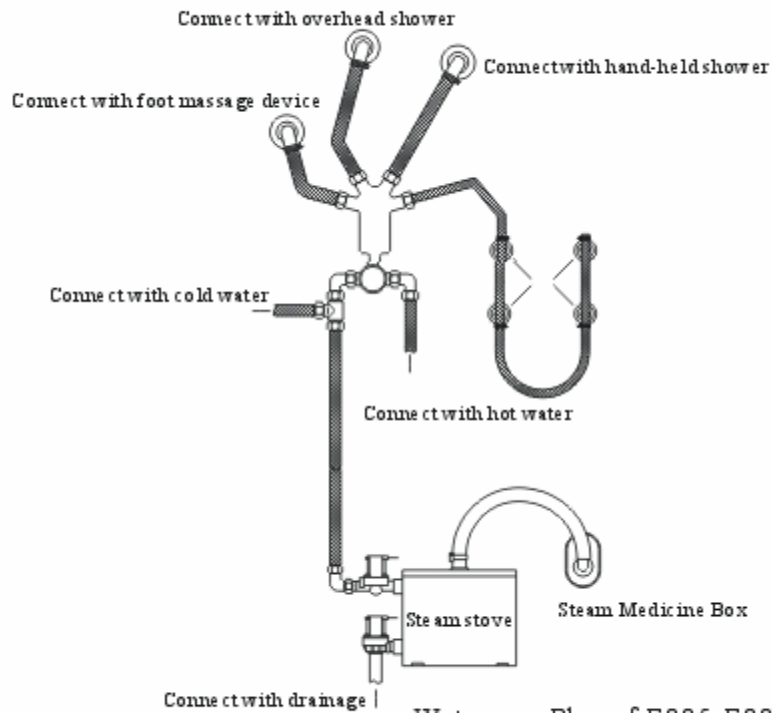
5. Place the U shaped rubber seals on the 3 edges of the glass back board. Place the glass back panel between the shower tower and the wall profile
6. Stand shower tower in position on the tray as in picture 3 below. Then stand the wall profiles with top and bottom rails on the tray as well. Position the glass panel between the shower tower and the wall profile. Slide the glass panel in between the wall profile and shower tower and then attach in place by re attaching the glass clamping plate, before securing in place do the same for the second glass panel. Once this is done, then tighten the screws on the shower tower to hold the glass panel in place. It is important to attach both glass panels before securing in place, this is to allow adjustment on the glass panels. The fixed glass panels should now be secure in place. When fixing the panels the label should be on the inside of the cubicle.



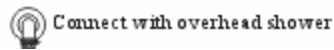
PICTURE 3.

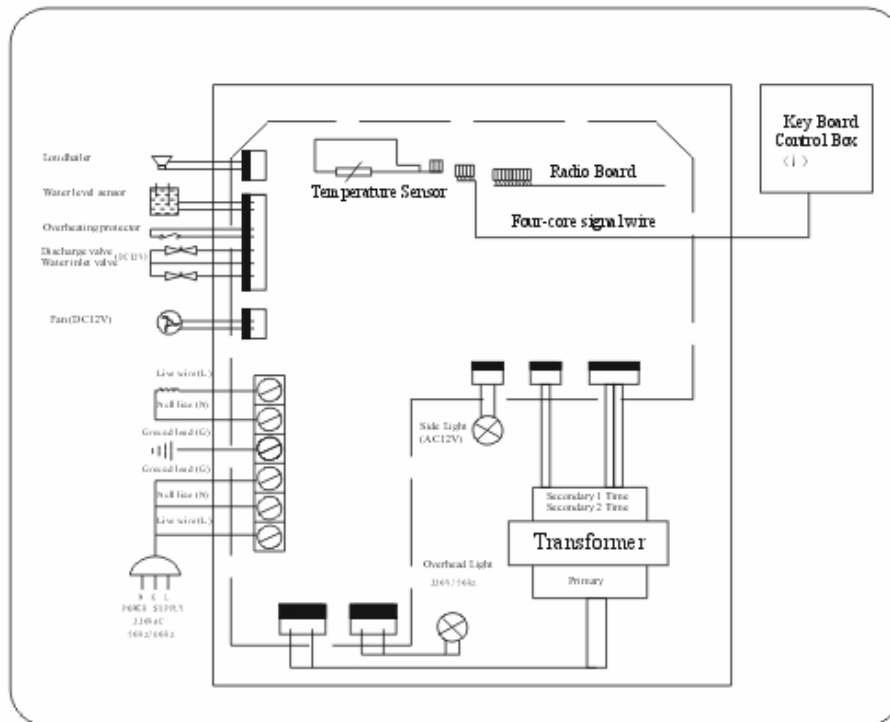
- The next step is to pull through the hole at the top of the shower tower, all the connection pipes and wires. The water pipes should be connected as in the diagram below.

XVI) Waterway Plan



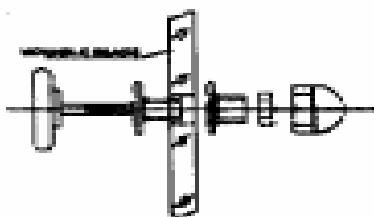
Waterway Plan of E005-E006-E011





Connect the connecting terminals of the electrical control box to the control board, overhead light, speaker, background light and the extractor fan. As in the diagram above.

8.) Attach the rubber handles to the glass panel as in the diagram below. The same method needs to be applied to install the soap shelf and towel bar.



9.) To install the doors attach the top rollers first and slide in to place on the top rail. Then attach the bottom rollers to the bottom rail. The rubber seals should then be placed on the end of each door. They will need to be trimmed to suit. Tighten the top and bottom rollers using a spanner and a

screw driver, adjust until the doors run smoothly. Fix end caps to cover rollers.

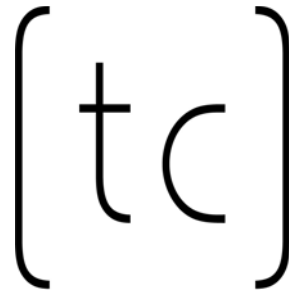
10.) To attach the handles to the door, hold the handles in place so they are level on both sides of the door and fasten using an alan key.

11.) To fit the cabinet back to the wall the unit should be fitted square and level . Then push back in to place.

NB :

WE RECOMMEND THAT CLEAR BATHROOM SEALANT IS USED AS AND WHERE REQUIRED. HOWEVER WE STRONGLY RECOMMEND USE ON ALL JOINTS AND ON THE BACK OF THE TRAY WHERE IT CONTACTS THE WALL.

PLEASE NOTE THERE MAY BE SURPLUS SCREWS LEFT OVER AFTER INSTALLATION.



**traditional contemporary
bathrooms**

**IF YOU HAVE ANY DIFFICULTIES IN
INSTALLING THIS PRODUCT PLEASE
FELL FREE TO CALL TC HEAD
OFFICE FOR GUIDANCE.**

**TELEPHONE : 01924 845000
FAX : 01924 845001**

**UNIT 2 JUBILEE WAY
GRANGE MOOR
WAKEFIELD
WF4 4TD**